



# TRADESMAN INSURANCE

TRADESMAN

Our Tradesman policy is designed for the traditional building and allied trades.

## KEY SELLING POINTS

- Introductory no claim discount available at new business
- No claim discount available at renewal
- Minimum premium from £50
- Up to 15 workers allowed
- More than 100 trades accepted
- Designed for businesses with a turnover of up to £1,000,000

## FEATURES

- Option to vary the Public Liability excesses
- Free 24 hour advice lines for health and medical assistance, legal advice and stress counselling
- Tools and Business Equipment includes laptops and mobile phones
- Cover available for:
  - Bona Fide Subcontractors
  - Temporary Employees Extension (up to 50 working days)
  - Bodily Injury to Working Partners

## PREFERRED RISK

**Plasterer & Artexer**

**Builders**

**Domestic Cleaners**

**Flooring Contractors**

**Office Fitter**

**Shop Fitter**

**Painter & Decorator**

## STANDARD COVERS

Cover	Maximum Limits
Public Liability	£5,000,000 (£1,000,000)

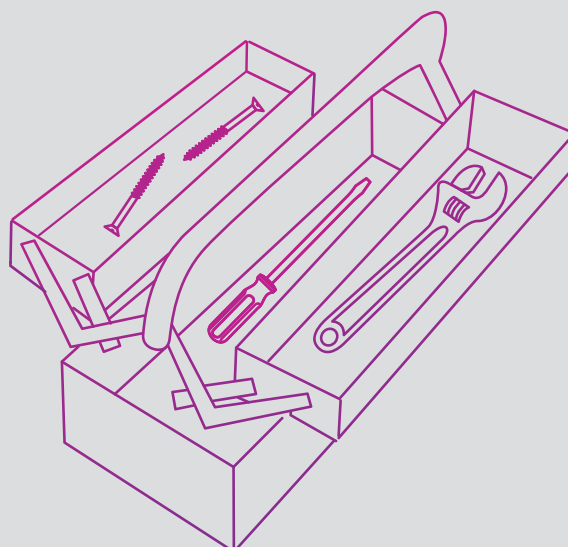
## OPTIONAL COVERS

Cover	Maximum Limits (up to)
Employers Liability	£10,000,000
Tools and Business Equipment	£5,000 per employee
Business Stock	£5,000
Own Plant	£50,000
Hired In Plant	£20,000 any one item
Contract Works	£500,000 any one contract site
Money in transit or in a bank night safe	£5,000
Money in private dwellings or on contract sites	£1,500
Personal Accident	Capital Benefits £10,000

The amount in brackets denotes the standard limit provided.

This is a summary of the cover available. Please refer to the Policy Booklet for full terms and conditions.

## INSURANCE...FIXED!



FOR A SIMPLE AND QUICK QUOTE LOG ONTO  
[www.nignetwork.com](http://www.nignetwork.com)